

DUORANGE

strack Patienten- und Pflegebedarf

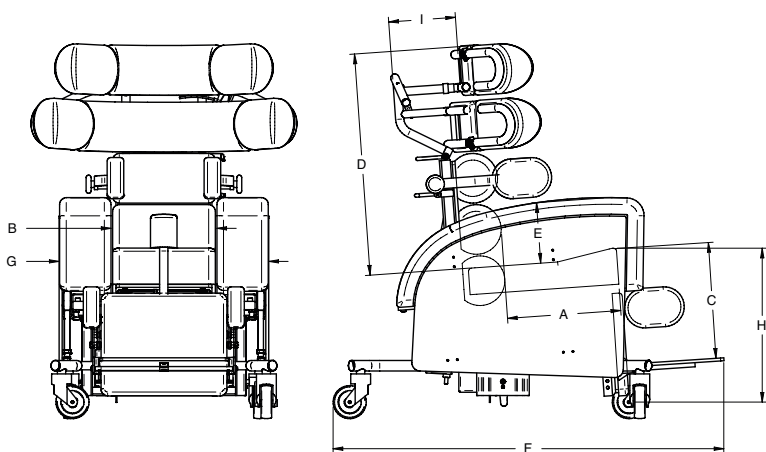
Duo Mini



Duo Minor



Duo Major



Specifications

Duo

A: Seat Length

B: Seat Width

C: Seat Height (from footboard)

D: Back Height

E: Arm Height

F: Overall Length

G: Overall Width

H: Seat Height (from floor)

I: Headrest Depth Adjustment

Tilt-in-Space:

Back Recline

Negative Legrest Angle:

Footrest Adjustable Angle:

Seat Modules:

All measurements in mm

	Major	Minor	Mini
A: Seat Length	380-500	320-460	240-340
B: Seat Width	350/400/450/500	300/350/400/450	200/250/300/350
C: Seat Height (from footboard)	350-500	300-450	235-375
D: Back Height	670-940	610-820	490-660
E: Arm Height	180-300	180-300	140-240
F: Overall Length	1180	1030	880
G: Overall Width	680-830	620-770	570-640
H: Seat Height (from floor)	510-630 (Manual version: 510)	500-620 (Manual version: 500)	430-530
I: Headrest Depth Adjustment	100	80	60
Tilt-in-Space:	Horizontal to 35° backwards (28° backwards on Manual version)		Horizontal to 40° backwards
Back Recline	90° to 130°	90° to 130°	95° to 130°
Negative Legrest Angle:	-25°	-25°	-
Footrest Adjustable Angle:	60°, 75°, 90°, 105°, 120°	60°, 75°, 90°, 105°, 120°	70°, 90°, 110°

All seat modules can be made to measure on request.

General Use

- Domestic home use
- Hospital, hospice and care home environments
- For those with or at risk of developing an unconventional body shape
- For those with postural related problems

Features and Benefits

- Three chair sizes: Major; Minor and Mini
- Regulated Motion or Gas Action or Electrically powered Tilt-in-Space and Legrest elevation (Duo Mini available with Manual or Electric adjustment only)
- Two back style options: Waterfall or Sculpted
- Three pressure relieving seat module options
- Arcing legrest without compromising footboard positioning
- Easy to use handset on Regulated Motion and Electric models
- Tool-free, lever and spring-clip adjustments
- Split-wing headrest for support of the head and shoulders
- Adjustable headrest for precise positioning of the head
- Push handle
- Strong, durable 100mm single wheels, rear braked (75mm twin wheels on the Duo Mini)

Pressure Relieving Seat Options (integral)

- Intelli-Gel® Integral seat module
- Transflo Gel seat module
- Reflexion™ Foam seat module

Accessories

- Lateral supports
- Leg-Laterals
- Pommel
- Legrest bracket to achieve a 25° negative angle (not available on Duo Mini)
- Flat seat board
- Foot Sandals
- Ankle Huggers
- Lap-Belt
- Pelvic Positioners
- Universal Mobile Tray

Weight Limit

- Major/Minor: 160kg/25 stone
- Mini: 57kg/9 stone



Elevating Legrest



Manual



Electric



Regulated Motion



5 Year Frame Warranty



10 Working Day Despatch



Made to Measure



Tilt-in-Space



Back Angle Recline



Seat Height Adjustment



Made in Britain



Intelli-Gel
Integral

REFLEXION™

Transflo
SEATING SYSTEM

Contact Us

Call Freephone 0800 212709 (UK only) and speak to our friendly Customer Service Team. E: info@kirtonhealthcare.co.uk

About Us

The Kirton Healthcare Group
23 Rookwood Way, Haverhill, Suffolk, CB9 8PB

T: 01440 705352 F: 01440 706199

E: info@kirtonhealthcare.co.uk
www.kirton-healthcare.co.uk

@Kirton_Seating